

CERTIFICATION



HACCP International



ISO9001

# ICE MATE

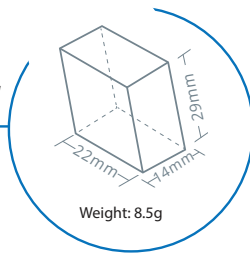


## SRM-270AB-14-B-501SA

### ICE MAKER

ICEMATE is committed to bringing high-efficiency / energy-saving, and high quality ice-making product to people who have dreams and desire to create their own business with the best scientific technology and manufacturing technology.

#### HALF DICE



#### KEY FEATURES

##### SAFETY AND HYGIENE ASSURED ICE MACHINE

##### AUTO-CLEANING



Timely maintenance of water system can extend life of equipment.

##### PURE ICE

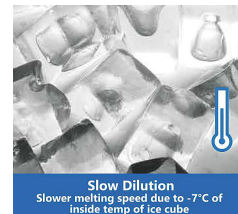


Overflow self-cleaning function, ensuring ice hygiene

##### IoT



##### Slow melt Dilution



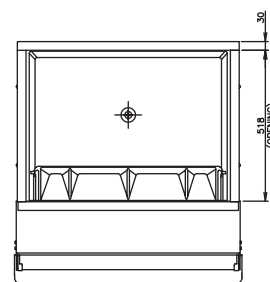
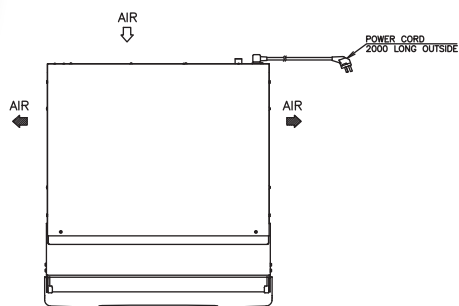
##### Powerful Ice Making



##### Energy & Water Saving, Quiet Operation



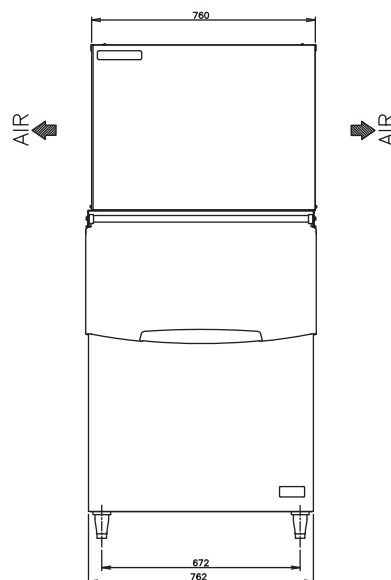
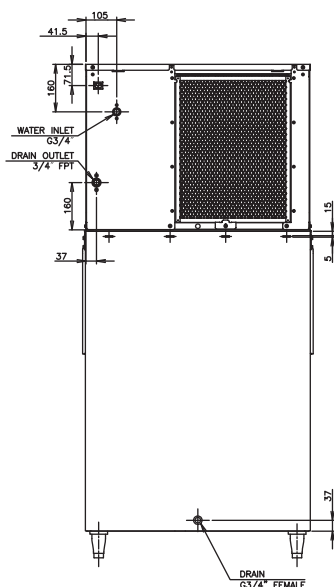
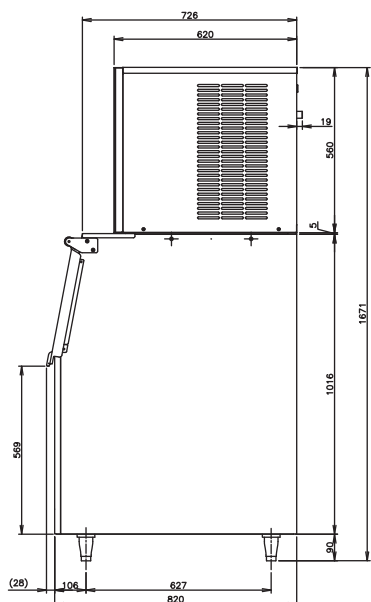
**BIN TOP VIEW**



**RIGHT SIDE**

**BACK SIDE**

**FRONT SIDE**



**SPECIFICATIONS**

Ice Dimensions (W x D x H)	29 x 14 x 22 mm
Outside Dimensions (W x D x H)	762 x 820 x 1671 (~1701) mm
Package Dimensions (W x D x H)	Ice Maker: Pallet+Carton: 850 x 710 x 750mm Storage Bin: 866 x 924 x 1138mm
Weight (Net / Gross)	Ice Maker: 59kg / 78kg Storage Bin: 47kg / 57kg
Amperage / Starting Amperage	5.37A/24A
Electrical Consumption	(AT32°C / WT21°C) 1219.5W
Refrigerant Charge	R404A/600g
Ice Storage Capacity	Maximum 217kg
Ice Production per 24H	(AT10°C / WT10°C) Approx. 270 kg (AT21°C / WT15°C) Approx. 229kg (AT32°C / WT21°C) Approx. 183 kg

Water Consumption per 24H	(AT32°C/WT21°C) 0.20m <sup>3</sup> (1.1L / kg Ice)
Ice Production Freeze Cycle Time	(AT21°C/WT15°C) 15.7 min
Ice Production per Cycle	(AT21°C/WT15°C) Approx. 2.58kg / 320pcs

**OPERATING CONDITIONS**

Voltage Range	198 - 242 V
Ambient Temperature	5 - 38°C
Water Supply	5 - 32°C
Water Supply Pressure	0.07 - 0.55 Mpa (0.7 - 5.5 bar)
Supply Voltage	1/220 - 240V / 60Hz

